



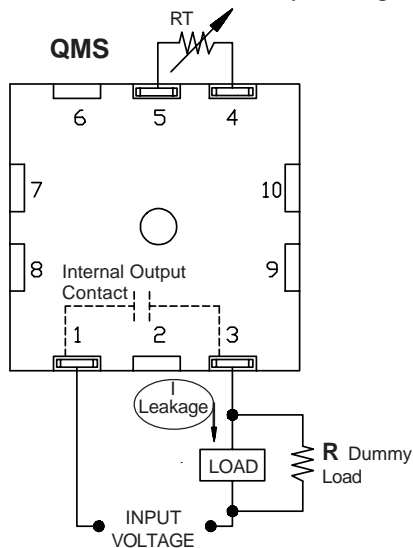
P.O. Box 2956 · Syracuse · New York · 13220
 Phone: (315) 433-1150 Fax: (315) 433-1521
 Toll Free US & Canada (800) 334-0837
 Email: sales@infitec.com

APPLICATION NOTE AN2006 AC LEAKAGE CURRENT IN SOLID STATE TIMERS

email: sales@infitec.com
 engineering@infitec.com

□ AC LEAKAGE CURRENT IN SOLID STATE TIMERS

The circuit shown below is a typical solid state timer circuit. The QMS series timer has a minimum load requirement of 20mA due to AC leakage from the solid state output. The AC leakage can cause partial or complete energization of the load when the solid state output is in the **OFF** position. This condition can be corrected by adding a dummy load resistor.



Suggested Dummy Load Values		
Input Voltage	Resistor Value (Ohms)	Resistor Power Rating (Watts)
24VAC	470	2
120VAC	5,000	5
230VAC	12,000	5

PLEASE NOTE

When using a timing module with solid state output to initiate another solid state timer, please consult factory for specific application assistance.