



P.O. Box 2956 · Syracuse · New York · 13220
Phone: (315) 433-1150 Fax: (315) 433-1521
Toll Free US & Canada (800) 334-0837
Email: sales@infitec.com

APPLICATION NOTE AN2007 TRIGGERING SINGLE SHOT TIME DELAY RELAY FROM PLC

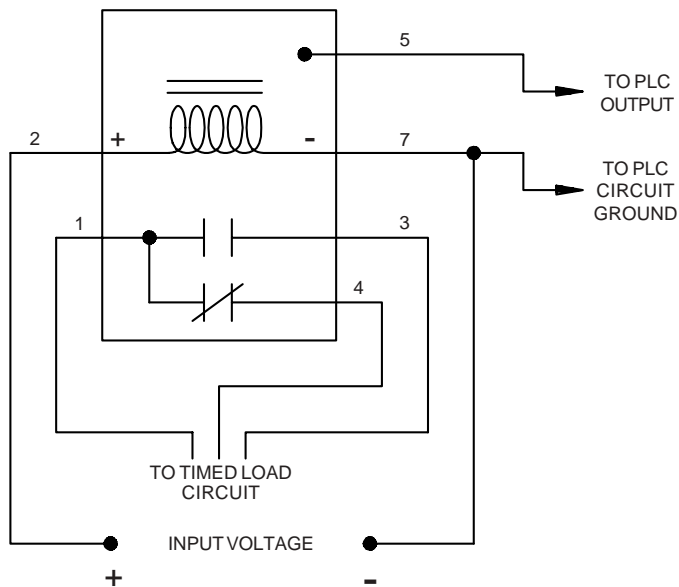
email: sales@infitec.com
engineering@infitec.com

TRIGGERING SINGLE SHOT TIME DELAY RELAY FROM PLC

Use with all plug-in time delay relays with external initiate

Input voltage is applied at all times. The PLC output is normally low (0 Volts). When the PLC output goes high, (+9 to 15 Volts), the CSR output contacts transfer and timing begins. Upon completion of the pre-set time delay, the CSR output contacts revert back to their original position. When the PLC output has gone low and returns high, the CSR repeats its cycle.

CSR (8 Pin, 12 VDC Input Voltage)



Timing Diagram

