



P.O. Box 2956 · Syracuse · New York · 13220
 Phone: (315) 433-1150 Fax: (315) 433-1521
 Toll Free US & Canada (800) 334-0837
 Email: sales@infitec.com

C SERIES DIGITAL PLUG-IN TIME DELAY RELAY

FEATURES

- C/MOS Digital Circuitry
- Time Delays To 1000 Minutes
- No First Cycle Effect
- 0.5% Repeat Accuracy
- 2% Stability Over Voltage And Temperature
- Wide Voltage Selection 24-230 VAC, 12-110 VDC
- 8 Pin, 11 Pin, Stab/Square Base Plug-In Termination
- Six Modes Of Operation
- UL / cUL Recognized

SPECIFICATIONS

1. Time Delay.

- 1.1 Type: C/MOS digital circuitry
- 1.2 Range: From 0.05 seconds to 1000 minutes.
Fixed delays available.
- 1.3 Repeat accuracy: $\pm 0.5\%$ under fixed conditions
- 1.4 Setting accuracy: $\pm 10\%$
- 1.5 Reset time: 100 milliseconds maximum,
- 1.6 Recycle time: 100 milliseconds during timing,
50 milliseconds after timing
- 1.7 Time delay vs. voltage and temperature: $\pm 2\%$

2. Input.

- 2.1 Operating voltage: 24, 120 & 230 VAC,
12, 24/28 & 110 VDC
- 2.2 Tolerance: $\pm 20\%$ of nominal
- 2.3 Frequency: 50 - 60 Hertz

3. Output.

- 3.1 Type: Electromechanical Relay
- 3.2 Form: DPDT or SPDT (see base style connections)
- 3.3 Rating: 10 amperes resistive @ 30 VDC, 120/240 VAC
- 3.4 Life: Electrical - full load - 100,000 operations
Mechanical - 10,000,000 operations

4. Protection.

- 4.1 Transient: ± 1500 volts for 150 microseconds
- 4.2 Polarity: DC units are reverse polarity protected
- 4.3 Dielectric breakdown: 1500 volts RMS minimum

5. Mechanical.

- 5.1 Mounting: Plug-in
- 5.2 Termination: Octal (8 pin), Magnal (11 pin) or 11 pin
stab/square base plug-in

6. Environmental.

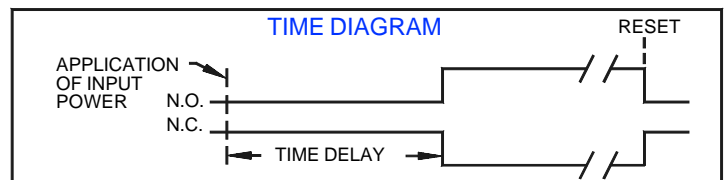
- 6.1 Operating temperature: -20°C to $+80^{\circ}\text{C}$
- 6.2 Storage temperature: -30°C to $+85^{\circ}\text{C}$



MODE OF OPERATION - SERIES

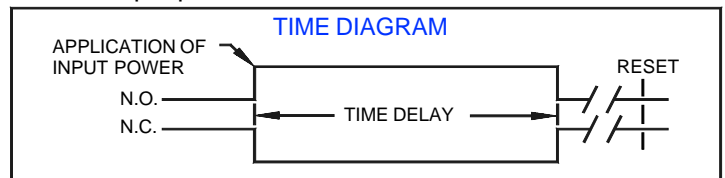
DELAY ON MAKE - CMR

Upon application of power to the input terminals, the time delay begins. At the completion of the pre-selected time delay, the output contacts transfer. Reset is accomplished by removal of input power. There is no false output when reset during timing.



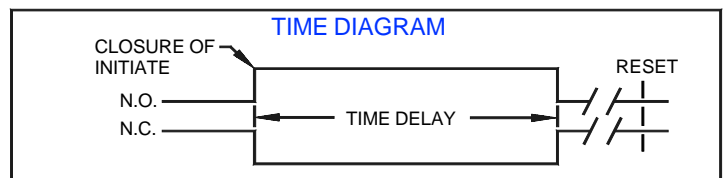
INTERVAL - CIR

Upon application of power to the input terminals, the output contacts immediately transfer and the time delay begins. At the completion of the pre-selected time delay, the output contacts revert to their original position. Reset is accomplished by removal of input power.



SINGLE-SHOT - CSR

Power must be applied to the input at all times prior to and during timing. Upon closure of the initiate switch (momentary or maintained) the output contacts transfer and the time delay begins. At the completion of the pre-selected delay period, the output contacts revert to their original position. Removal of input power will reset the control.



DELAY ON BREAK - CBR

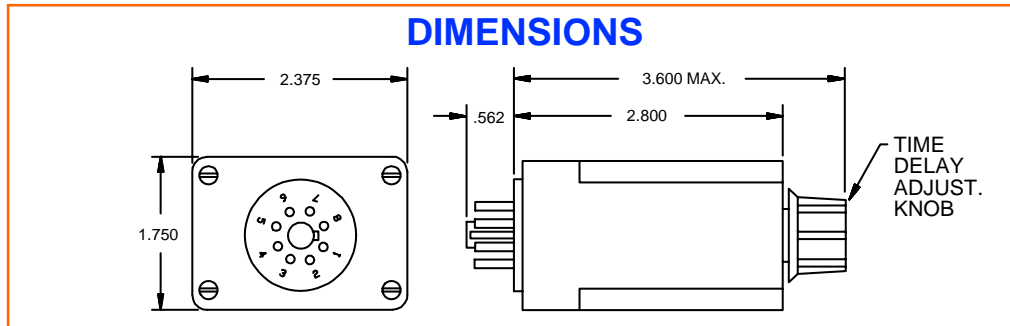
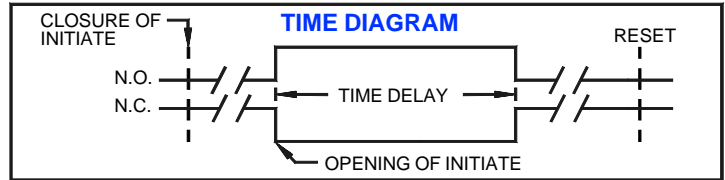
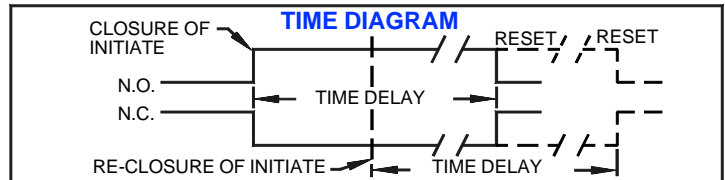
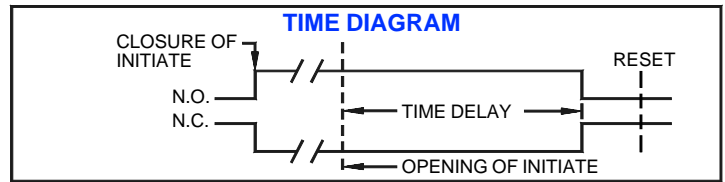
Power must be applied to the input at all times prior to and during timing. Upon closure of the initiate switch, the output contacts transfer and remain transferred if no further action is taken. When the initiate switch is opened, the time delay begins. At the end of the pre-selected delay period, the output contacts revert to their original position. Removal of input power will reset the control.

RETRIGGERABLE ONE-SHOT - COR

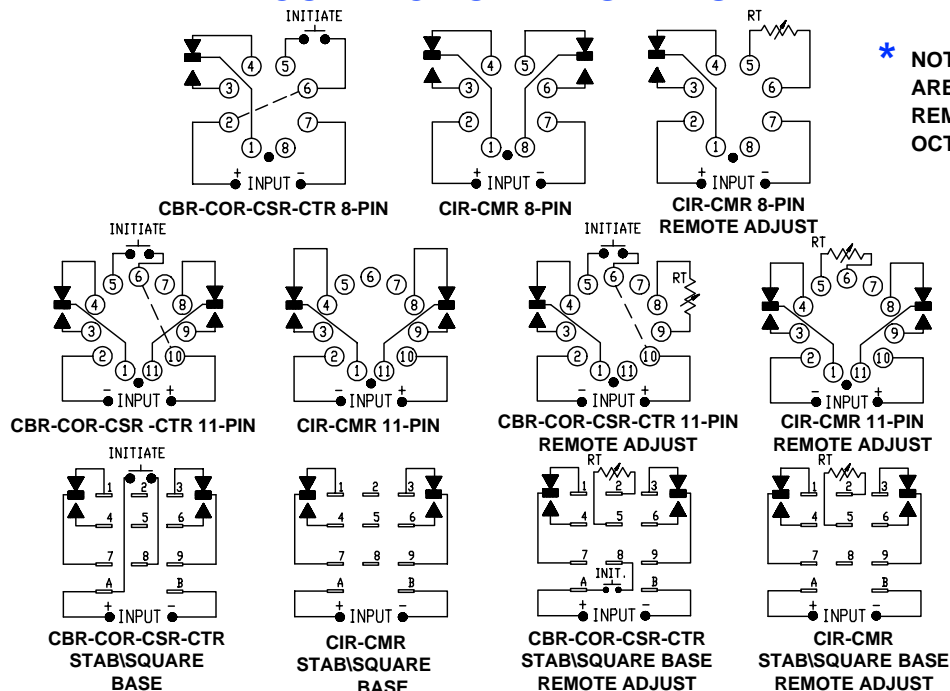
Power must be applied to the input at all times prior to and during timing. Upon closure of the initiate switch (momentary or maintained) the output contacts transfer and the time delay begins. At the completion of the pre-selected time delay the output contacts revert to their original position. **NOTE:** Momentary or maintained closure of initiate switch during timing will reset the time delay.

TRAILING EDGE TRIGGERED - CTR

Power must be applied to the input at all times prior to and during timing. Upon closure of the initiate switch, nothing happens. When the initiate switch is opened, the time delay begins and the output contact transfers. At the completion of the pre-selected delay period the contact reverts to its original position. Removal of input power will reset the control. If the initiate switch is closed during timing, the output contact reverts to its original position and the time delay is reset.



CONNECTION DIAGRAMS



ORDERING INFORMATION

| SERIES | BASE STYLE | INPUT VOLTAGE | ADJUSTMENT | TIME DELAY RANGE |
|--|---|--|---|-------------------------------|
| CBR CIR CMR COR CSR CTR | 1 - Octal Plug-In * (8 Pin) 2 - 11 Pin Plug-In 3 - 11 Pin Stab/Square Base | 1 - 12 VDC 2 - 24/28 VDC 3 - 110 VDC 4 - 24 VAC 5 - 120 VAC 6 - 230 VAC | 0 - Knob 1 - Fixed 2 - Remote Adjustment * 3 - Lockshaft | See Time Delay Range Chart |