



P.O. Box 2956 · Syracuse · New York · 13220
 Phone: (315) 433-1150 Fax: (315) 433-1521
 Toll Free US & Canada (800) 334-0837
 Email: sales@infitec.com

NIS SERIES LOW COST ENCAPSULATED TIME DELAY MODULE

FEATURES

- Time Delays To
- Fully Encapsulated
- 2% Repeat Accuracy
- Output Rated at 1 Ampere Continuous,
 10 Amperes Inrush
- Fixed Or Adjustable Time Delays
- Small Size
- UL and CSA Pending

SPECIFICATIONS

1. Time Delay.

- 1.1 Type: Analog
- 1.2 Range: From 0.1-180 seconds
 Fixed delays also available (see page B8)
- 1.3 Repeat accuracy: $\pm 5\%$ under fixed conditions
- 1.4 Setting accuracy: $\pm 15\%$
- 1.5 Reset time: 50 milliseconds maximum
- 1.6 Recycle time: 100 milliseconds
- 1.7 Time delay vs. voltage and temperature: $\pm 2\%$

2. Input.

- 2.1 Operating voltage: 24, 120 & 230 VAC
- 2.2 Tolerance: $\pm 20\%$ of nominal
- 2.3 Frequency: 50 - 60 Hertz

3. Output.

- 3.1 Type: Solid state
- 3.2 Form: SPST
- 3.3 Rating: 1 ampere (20mA minimum or consult factory) - 10 amperes inrush
- 3.4 Life: 100,000 operations minimum under full load

4. Protection.

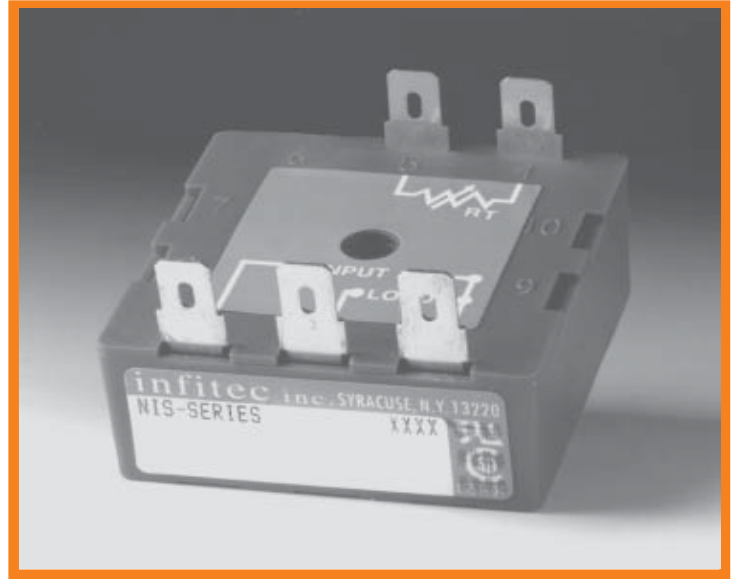
- 4.1 Transient: ± 1500 volts for 150 microseconds
- 4.2 Dielectric breakdown: 1500 volts RMS minimum

5. Mechanical.

- 5.1 Mounting: One #8 or #10 screw
- 5.2 Termination: 1/4" quick connect terminals
- 5.3 Style: Surface mount encapsulated

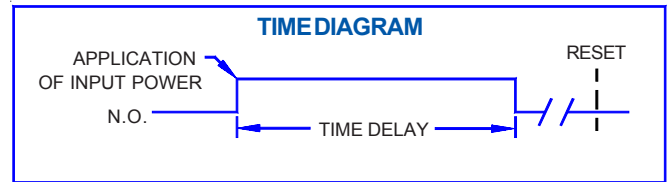
6. Environmental.

- 6.1 Operating temperature: -20°C to $+60^{\circ}\text{C}$
- 6.2 Storage temperature: -30°C to $+85^{\circ}\text{C}$

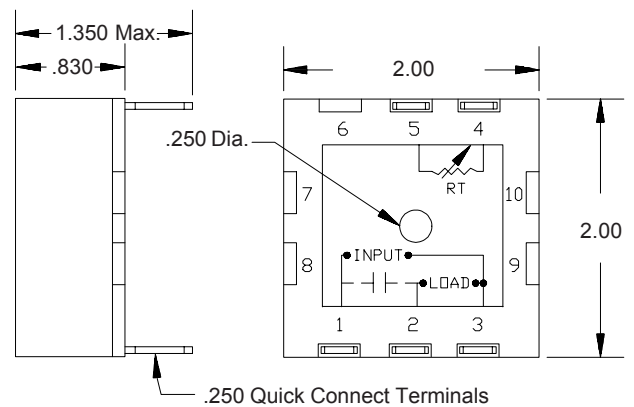


MODE OF OPERATION INTERVAL

Upon application of power to the input terminals, the output contact immediately transfers and the time delay begins. At the completion of the pre-selected time delay, the output contact reverts to its original position. Reset is accomplished by removal of input power.



DIMENSIONS & CONNECTIONS



ORDERING INFORMATION

SERIES	INPUT VOLTAGE	ADJUSTMENT	TIME DELAY RANGE
NIS	4 - 24 VAC	1 - Fixed	1 - 0.05-1.0 Seconds
	5 - 120 VAC	2 - External Adjust	1A - 0.1-3.0 Seconds
	6 - 230 VAC		2 - 0.3-10.0 Seconds
			3 - 3.0-100.0 Seconds
			3B - 5.0-180.0 Seconds