



P.O. Box 2956 · Syracuse · New York · 13220  
 Phone: (315) 433-1150 Fax: (315) 433-1521  
 Toll Free US & Canada (800) 334-0837  
 Email: sales@infitec.com

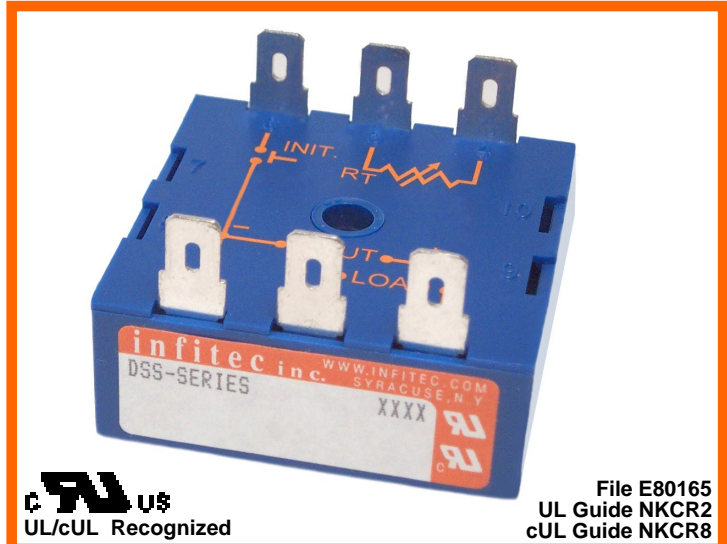
# D SERIES DIGITAL ENCAPSULATED SOLID STATE TIMER

## FEATURES

- C/MOS Digital Circuitry
- Time Delays To 1000 Minutes
- Fully Solid State and Encapsulated
- 0.5% Repeat Accuracy
- Three Different Modes Of Operation
- Fixed or Adjustable Time Delays
- UL/cUL Recognized

## SPECIFICATIONS

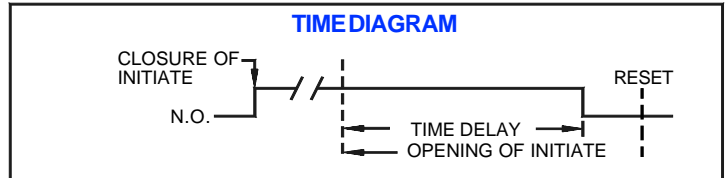
1. **Time Delay.**
  - 1.1 Type: C/MOS digital circuitry
  - 1.2 Range: From 0.05 seconds to 1000 minutes.  
Fixed delays available (see time delay range chart)
  - 1.3 Repeat accuracy:  $\pm 0.5\%$  under fixed conditions
  - 1.4 Setting accuracy:  $\pm 10\%$
  - 1.5 Reset time: 50 milliseconds maximum
  - 1.6 Recycle time: 100 milliseconds during timing,  
50 milliseconds after timing
  - 1.7 Time delay vs. voltage and temperature:  $\pm 2\%$
2. **Input.**
  - 2.1 Operating voltage: 24, 120 & 230 VAC, 12 & 24/28 VDC
  - 2.2 Tolerance:  $\pm 20\%$  of nominal
  - 2.3 Frequency: 50 - 60 Hertz
3. **Output.**
  - 3.1 Type: Solid state
  - 3.2 Form: SPST, N.O.
  - 3.3 Rating: 1 amp steady state, (10 amp inrush, 20 mA. min.)
  - 3.4 Life: 100,000,000 operations minimum under full load
4. **Protection.**
  - 4.1 Transient:  $\pm 1500$  volts for 150 microseconds
  - 4.2 Polarity: DC units are reverse polarity protected
  - 4.3 Dielectric breakdown: 1500 volts RMS minimum
5. **Mechanical.**
  - 5.1 Mounting: One #8 or #10 screw
  - 5.2 Termination: 1/4" quick connect terminals
  - 5.3 Style: Surface mount / encapsulated
6. **Environmental.**
  - 6.1 Operating temperature:  $-20^{\circ}\text{C}$  to  $+80^{\circ}\text{C}$
  - 6.2 Storage temperature:  $-30^{\circ}\text{C}$  to  $+85^{\circ}\text{C}$
  - 6.3 Humidity: 95% relative, non-condensing



File E80165  
 UL Guide NKCR2  
 cUL Guide NKCR8

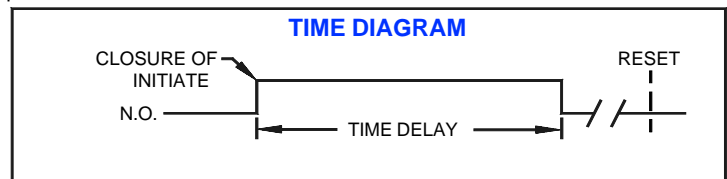
## MODE OF OPERATION - SERIES DELAY ON BREAK - DBS

Power must be applied to the input at all times prior to and during timing. Upon closure of the initiate switch, the output contact transfers and remains transferred if no further action is taken. When the initiate switch is opened, the time delay begins. At the completion of the pre-selected delay period the output contact reverts to its original position. Closure of initiate during timing will reset the delay period. Removal of input power will reset the control.



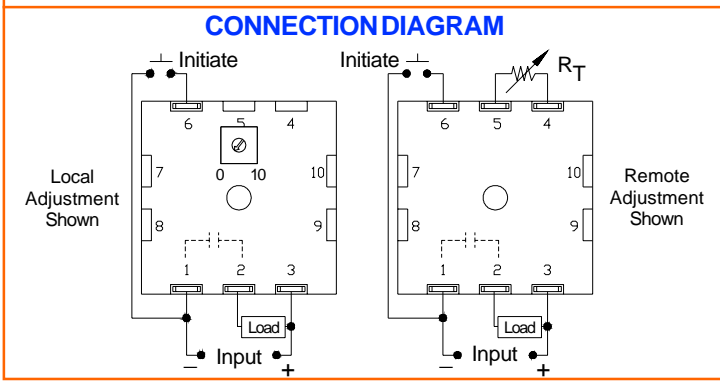
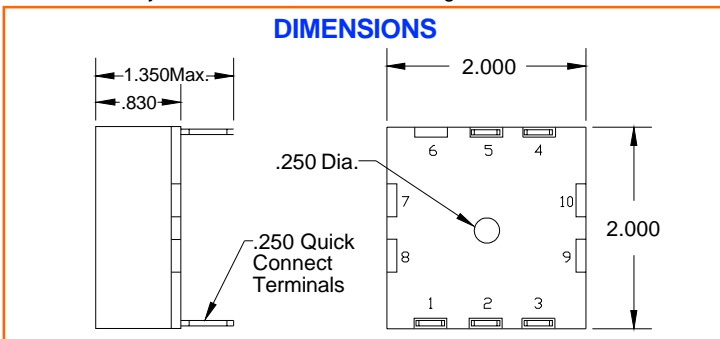
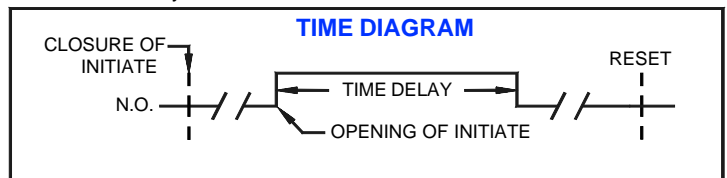
## SINGLE SHOT - DSS

Power must be applied to the input at all times prior to and during timing. Upon closure of the initiate switch (momentary or maintained) the output contact transfers and the time delay begins. At the completion of the pre-selected delay period, the output contact reverts to its original position. Removal of input power will reset the control.



## TRAILING EDGE TRIGGERED - DTS

Power must be applied to the input at all times prior to and during timing. Upon closure of the initiate switch, nothing happens. When the initiate switch is opened, the time delay begins and the output contact transfers. At the completion of the pre-selected delay period the output contact reverts to its original position. Removal of input power will reset the control. If the initiate switch is closed during timing, the output contact reverts to its original position and the time delay is reset.



## ORDERING INFORMATION

SERIES	INPUT VOLTAGE	ADJUSTMENT	TIME DELAY RANGE
DBS	1 - 12 VDC	0 - Local Adjust	See Time Delay Range Chart
DSS	2 - 24/28 VDC	1 - Fixed	
DTS	4 - 24 VAC	2 - External Adjust	
	5 - 120 VAC		
	6 - 230 VAC		