



P.O. Box 2956 • Syracuse • New York • 13220  
 Phone: (315) 433-1150 Fax: (315) 433-1521  
 Toll Free US & Canada (800) 334-0837  
 Email: sales@infitec.com

# OCS SERIES OPTICAL SOLID STATE SWITCH

## FEATURES

- Input Optically Isolated From Output
- Pulse Output Prevents False Triggering
- No Moving Parts To Wear Out-No Moving Parts To Wear
- AC Or DC Output Versions Available
- Compatible With Most Accumulators & Timers
- Onboard or Remote Mounted Optical Sensor
- UL/cUL Pending

## SPECIFICATIONS

### 1. Input.

- 1.1 Operating voltage: 24, 120 & 230 VAC
- 1.2 Tolerance:  $\pm 20\%$  of nominal
- 1.3 Frequency: 50 - 60 Hertz

### 2. Output.

- 2.1 Type: Solid state
- 2.2 Form: SPST, N.O.
- 2.3 Rating: 100 milliamperes
- 2.4 Life: 100,000,000 operations minimum under full load

### 3. Protection.

- 3.1 Transient:  $\pm 1500$  volts for 150 microseconds
- 3.2 Dielectric breakdown: 1500 volts RMS minimum

### 4. Mechanical.

- 4.1 Mounting: One #8 or #10 screw
- 4.2 Termination: 1/4" quick connect terminals or 12" wire leads
- 4.3 Style: Surface mount / encapsulated

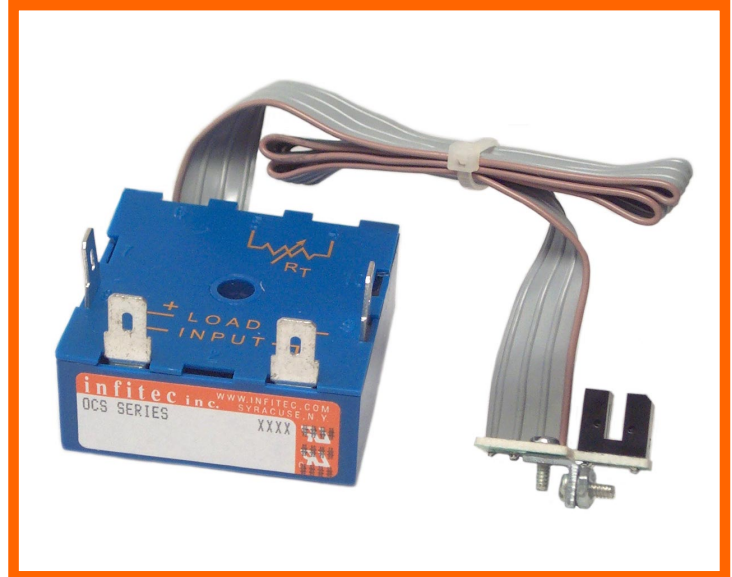
### 5. Environmental.

- 5.1 Operating temperature:  $-20^{\circ}\text{C}$  to  $+80^{\circ}\text{C}$
- 5.2 Storage temperature:  $-25^{\circ}\text{C}$  to  $+85^{\circ}\text{C}$
- 5.3 Humidity: 95% relative non-condensing

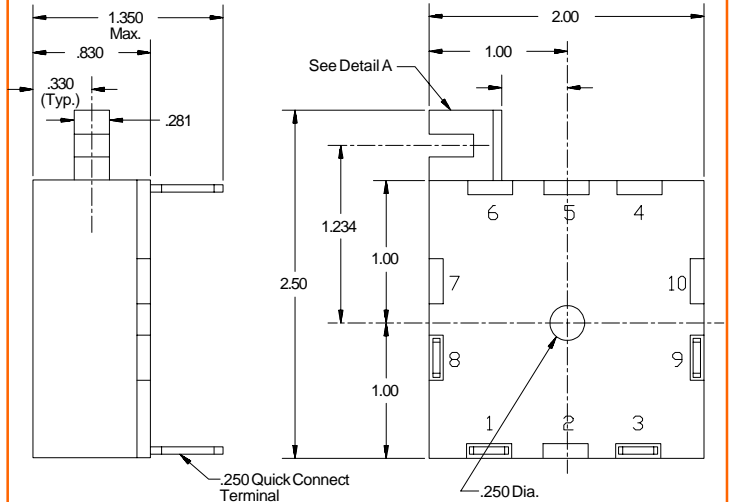
## MODE OF OPERATION OPTICAL SENSOR

Power is applied to the input at all times. The optical sensors beam is **ON** and the output contact is in a normally open (*Off*) state. When an object which is opaque to infra-red light (such as a coin) passes through the light beam, the output contact closes for 40 - 60ms and returns to its original normally open state.

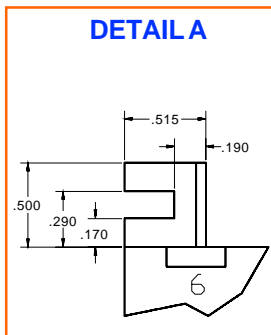
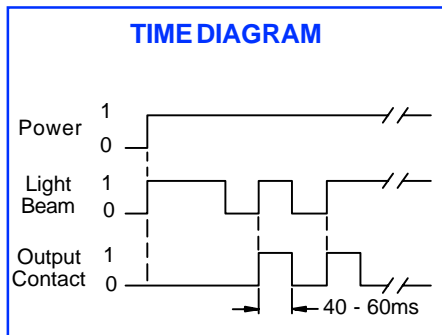
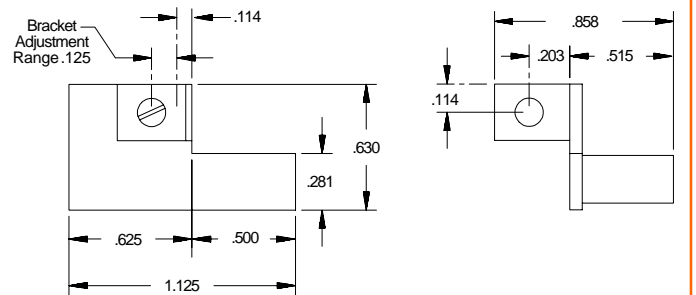
**Note:** This controls output contact will pulse only and will not remain activated or re-trigger if an object should jam while breaking the light beam.



## DIMENSIONS



## REMOTE SENSOR DIMENSIONS



## ORDERING INFORMATION

SERIES	TERMINATION	INPUT VOLTAGE	OUTPUTTYPE
OCS	3 - 1/4" Quick Connect	4 - 24 VAC	A - AC Output
OCSX	4 - Wire Leads	5 - 120 VAC	B - DC Output
		6 - 230 VAC	

## CONNECTION DIAGRAM

