



P.O.Box 2956 · Syracuse · New York · 13220  
 Phone: (315) 433-1150 Fax: (315) 433-1521  
 Toll Free US & Canada (800) 334-0837  
 Email: sales@infitec.com

# PCP SERIES LOW COST PANEL MOUNT AC PHASE CONTROL



PRELIMINARY



## FEATURES

- Fully Solid State
- 2 Wire In-Line Connection
- Adjustment From 10% to 95% Of Line Voltage
- Controls Many Types Of AC Loads
- RFI filtered version available
- Panel Mount
- Available with or without enclosure
- UL/cUL Pending

## SPECIFICATIONS

### 1. Input.

- 1.1 Operating voltage: 24, 120 & 230 VAC
- 1.2 Tolerance: ±15% of nominal
- 1.3 Frequency: 60 Hertz

### 2. Output.

- 2.1 Type: Solid state
- 2.2 Rating:  
 (Blank)-1 amp steady state, (10 amp inrush, 50 mA. min.)  
 D-2.5 amp steady state, (50 amp inrush, 150 mA. min.)  
 E-0.5 amp steady state, (10 amp inrush, 50 mA. min.)

- 2.3 Voltage drop: 1.5 volts typical at rated current
- 2.4 Range: 10% to 95% of line voltage
- 2.5 Output voltage vs. temperature: ± 5%

### 3. Protection.

- 3.1 Transient: ±1500 volts for 150 microseconds
- 3.2 Dielectric breakdown: 1500 volts RMS minimum

### 4. Mechanical.

- 4.1 Mounting: Single Hole via Potentiometer Shaft (hardware included)
- 4.2 Termination: (2) #18 AWG Wire Leads
- 4.3 Style: Panel Mount (see dimensional drawing)

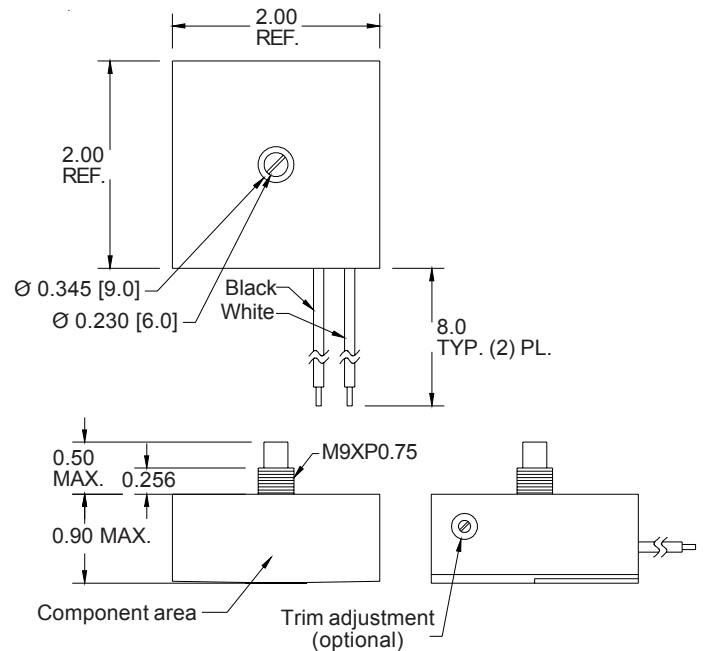
### 5. Environmental.

- 5.1 Operating temperature: -20°C to +65°C
- 5.2 Storage temperature: -30°C to +85°C
- 5.3 Humidity: 95% relative non-condensing

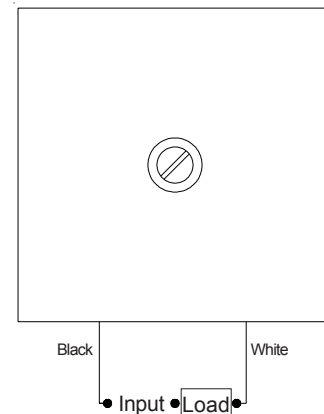
## MODE OF OPERATION AC Phase Control

Power is applied to the input terminals at all times. Adjusting the control potentiometer changes the voltage across the load.

## DIMENSIONS



## CONNECTION DIAGRAM



## ORDERING INFORMATION

SERIES	INPUT VOLTAGE	OUTPUT RATING	RFI FILTER	TRIM
PCPS (enclosed)	4 - 24 VAC	(Blank) - 1 Amp	0 - No	0 - None
PCPL (open board)	5 - 120 VAC	D - 2.5 Amps	1 - Yes	1 - Low
	6 - 230 VAC	E - 0.5 Amps		