



P.O. Box 2956 • Syracuse • New York • 13220  
 Phone: (315) 433-1150 Fax: (315) 433-1521  
 Toll Free US & Canada (800) 334-0837  
 Email: sales@infitec.com

# RC SERIES REMOTE CONTROL SYSTEM TRANSMITTER & RECEIVER

## RECEIVER



## TRANSMITTER



## FEATURES

- System Complies with FCC Part 15
- Uses Wireless RF, Not Power Wires To Transmit Signal
- Range: Up To 1,000 Feet (450 Feet Typical)
- Omnidirectional Antenna for Superior Reception
- Built-in 5 Minute 'Start Circuit Enable' Timer
- 20 Ampere, 1Hp @ 125 VAC, Relay Output Rating
- 12 VDC Vend Counter Output

## SPECIFICATIONS

### RECEIVER RC1433-C

#### 1. Input.

- 1.1 Operating voltage: 120 VAC
- 1.2 Tolerance:  $\pm 15\%$  of nominal
- 1.3 Frequency: 50 - 60 Hertz
- 1.4 RF Operating Frequency: 433 MHZ,
- 1.5 Range: Up to 1,000 feet (depending on conditions)  
450 feet typical

#### 2. Output.

- 2.1 Type: Electromechanical relay
- 2.2 Form: SPST, N.O.
- 2.3 Rating: 20 amperes, 1 Hp @ 125 VAC
- 2.4 Life: Electrical - full load - 100,000 operations  
Mechanical - 10,000,000 operations

#### 3. Mechanical.

- 3.1 Mounting: End mounting ears, #8 screw clearance (2 places)
- 3.2 Termination: Wire leads - (2) black wires, (2) blue wires (mating 1/4", quick connect terminals supplied), (1) white wire, all are 25" minimum length, (2) 1/4" male quick connect (integral to relay)
- 3.3 Style: Surface mount / encapsulated
- 3.4 Antenna: ANT1433-A = External Omnidirectional (mount to top of enclosure)

**NOTE: MOUNT ALL COMPONENTS AS FAR AWAY FROM COMPRESSOR AS POSSIBLE!**

#### 4. Protection.

- 4.1 Transient: Movistor protected to 10 joules
- 4.2 Dielectric breakdown: 1500 volts RMS minimum

#### 5. Environmental.

- 5.1 Operating temperature: -20°C to +75°C
- 5.2 Storage temperature: -30°C to +85°C
- 5.3 Humidity: 95% relative, non-condensing

## MODE OF OPERATION

### REMOTE CONTROL RECEIVER/TIMING SYSTEM

Upon application of power with no received signal, the receiver/control is de-energized and the control is reset. Upon receiving a properly coded signal, the latch-in timer begins and the load timer start circuit is enabled. It will remain enabled until the latch-in timer times out (5 mins.) Upon closure of the start button (momentary or maintained), while the start circuit is enabled, the vend counter (if connected) increments 1 time, the load timer begins and the load output energizes. Upon completion of the time delay the load output de-energizes.

## SPECIFICATIONS

### TRANSMITTER RC1433-B

#### 1. Input.

- 1.1 Operating voltage: 12V DC (N-cell Battery included)

#### 2. Output.

- 2.1 Type: Wireless RF signal
- 2.2 RF Operating frequency: 433 MHZ
- 2.3 Range: Up to 1,000 feet (depending on conditions)  
450 feet typical

#### 3. Mechanical.

- 3.1 Mounting: Supplied with 22" anti-theft cable attached. (See connection diagram)

## MODE OF OPERATION

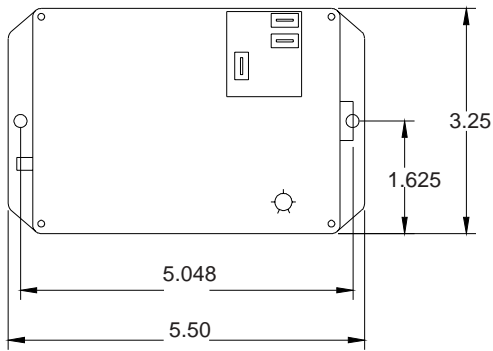
### REMOTE CONTROL TRANSMITTER

When the pushbutton is pressed for a minimum of 5 seconds, the unit transmits the enable signal and lights the LED on the unit.

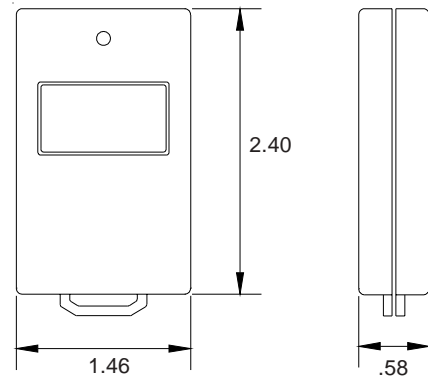
RC1433-B FCC ID: Q6R-HHTX-ASW-433

RC1433-C COMPLIES WITH FCC CFR47 15.109 and 15.107

## DIMENSIONS



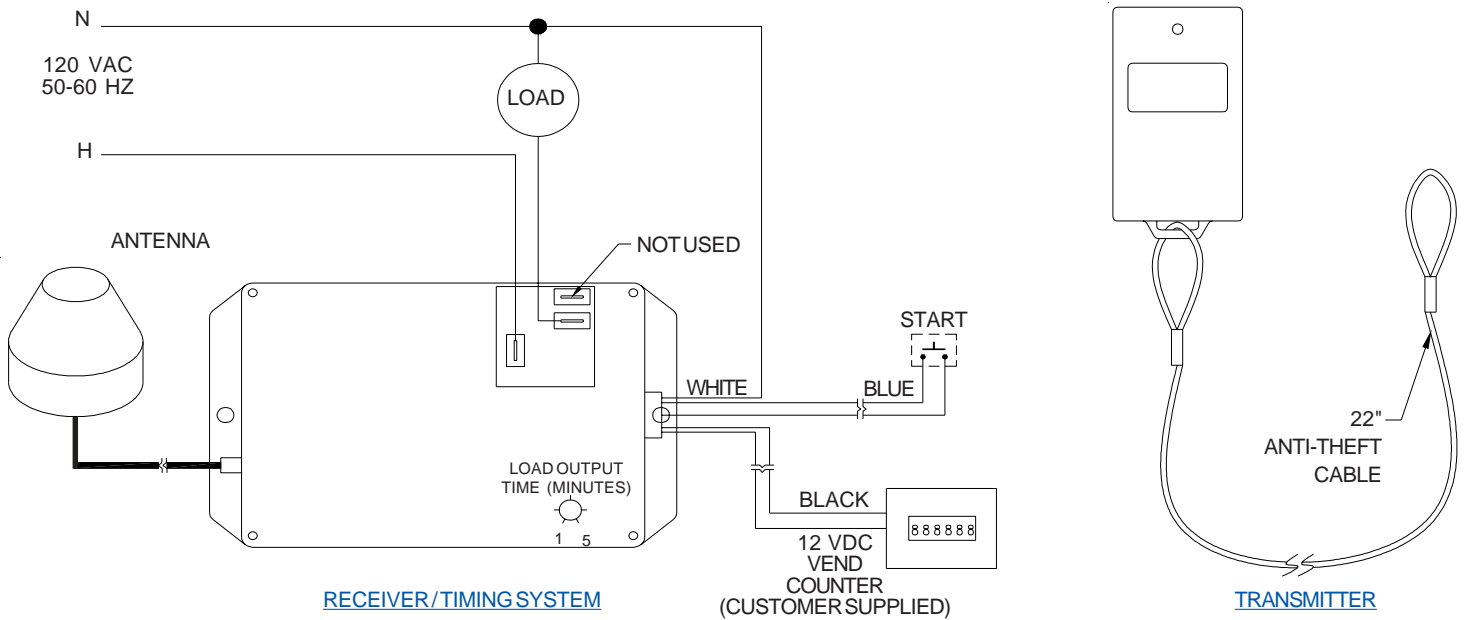
RECEIVER/TIMINGSYSTEM



TRANSMITTER



## CONNECTION DIAGRAM

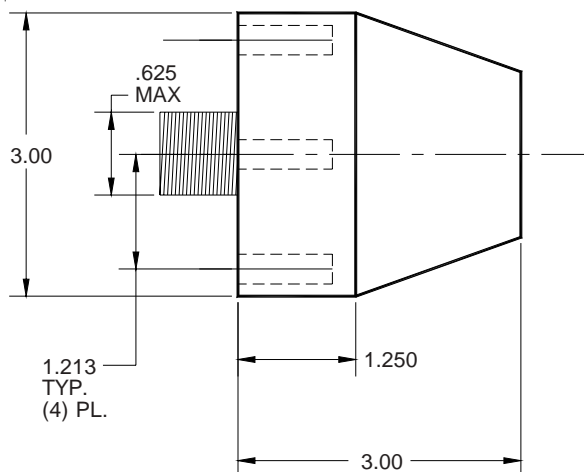


RECEIVER/TIMINGSYSTEM

12 VDC VENDOR COUNTER (CUSTOMER SUPPLIED)

TRANSMITTER

## OMNIDIRECTIONAL ANTENNA DIMENSIONS

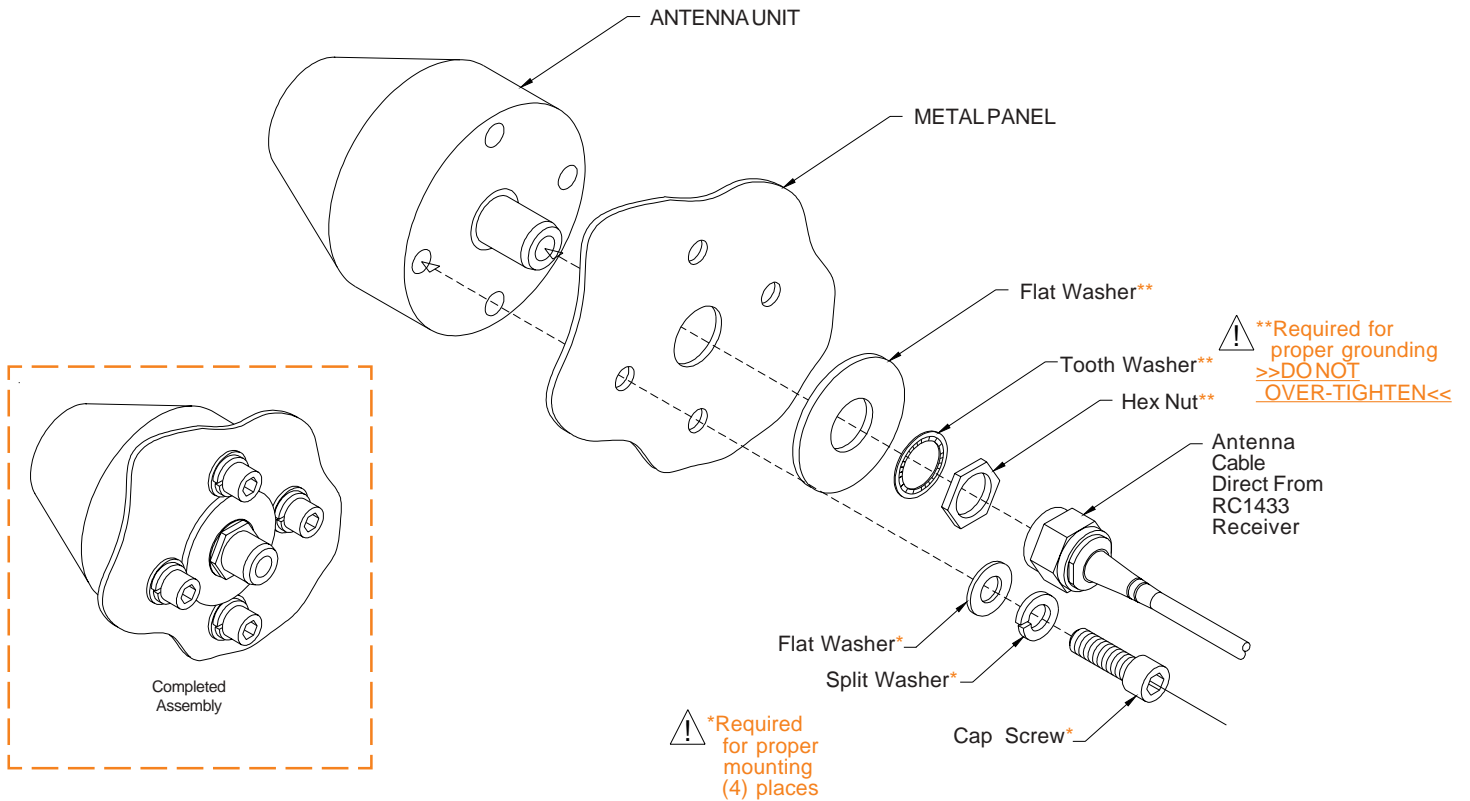


## ORDERING INFORMATION

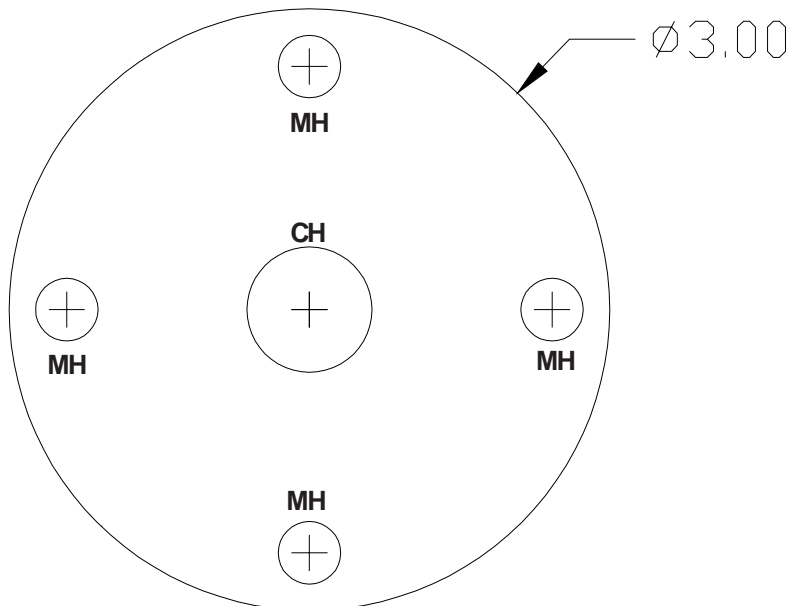
**RC1433-B** = TRANSMITTER

**RC1433-C** = RECEIVER with OMNIDIRECTIONAL ANTENNA

# OMNIDIRECTIONAL ANTENNA MOUNTING



## TEMPLATE



MH - (4) Mounting Holes = 11/32"  
CH - (1) Center Hole = 5/8"

### MOUNTING INSTRUCTIONS

- Mount antenna to top of machine
  - Install & tighten (4) cap screws with washers inside cabinet
  - Install larger washer inside cabinet followed by tooth washer and nut - snug nut - DO NOT OVERTIGHTEN
- Antenna base should be flush to outside of cabinet.

## OMNIDIRECTIONAL ANTENNA MOUNT OVERVIEW

