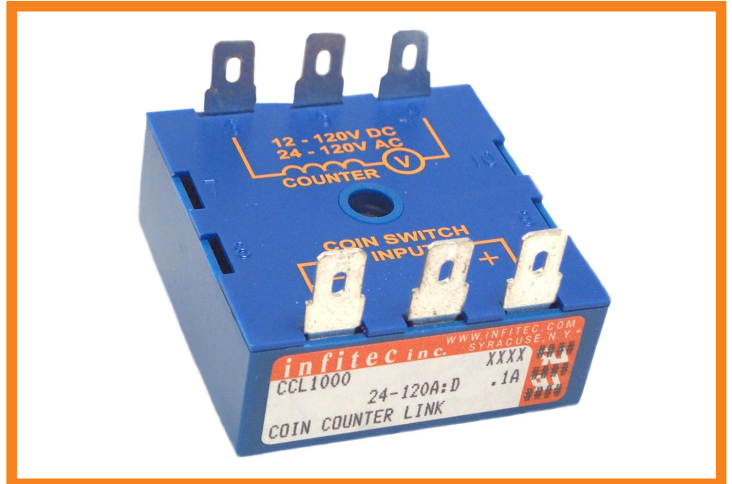




P.O. Box 2956 · Syracuse · New York · 13220  
 Phone: (315) 433-1150 Fax: (315) 433-1521  
 Toll Free US & Canada (800) 334-0837  
 Email: sales@infitec.com



# CCL1000 COIN COUNTER LINK MODULE



## FEATURES

- Totally Solid State
- Works With Most Popular Counters on the Market
- Wide Input Voltage Range of 5 - 24 VDC
- Wide Output Switching Voltage Range of 12 - 120 VDC or 24 - 120 VAC
- Single Screw Mounting
- Encapsulated to Withstand Harshest Environments
- UL/cUL Pending

## SPECIFICATIONS

### 1. Control.

- 1.1 Type: Optically isolated, single-shot timer
- 1.2 Time Delay: Fixed at 50 milliseconds  $\pm$  20%

### 2. Input.

- 2.1 Input voltage range: 5 - 24 VDC
- 2.2 Minimum change in voltage to initiate: 4 volts (switch open to switch closed, switch closed impedance  $\leq$  100 ohms)
- 2.3 Minimum input switch closure time: 100 microseconds  
Note: Switch input held low will not cause multiple output pulses
- 2.4 Minimum time between inputs: 75 ms.

### 3. Output.

- 3.1 Type: Solid state
- 3.2 Form: SPST, normally open
- 3.3 Rating: 0.5 amperes (AC or DC)
- 3.4 Operating voltage range: 24 - 120 VAC or 12 - 120 VDC
- 3.5 Off-state current: 2 mA @ 120 VAC or DC
- 3.6 Maximum on-state voltage drop: 3 volts @ 0.5 amps.

### 4. Protection.

- 4.1 Input transient:  $\pm$ 100 volts
- 4.2 Input is reverse polarity protected
- 4.3 Output transient (10/1000  $\mu$ Sec pulse): 11 Joules
- 4.4 Output DC voltage is not polarity sensitive
- 4.5 Dielectric breakdown: 1500 volts RMS minimum

### 5. Mechanical.

- 5.1 Mounting: One #8 or #10 screw
- 5.2 Termination: 1/4" quick connect
- 5.3 Style: Surface mount / encapsulated

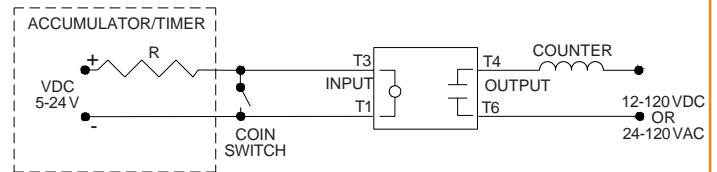
### 6. Environmental.

- 6.1 Operating temperature: -20°C to +80°C
- 6.2 Storage temperature: -40°C to +85°C
- 6.3 Humidity: 95% relative non-condensing

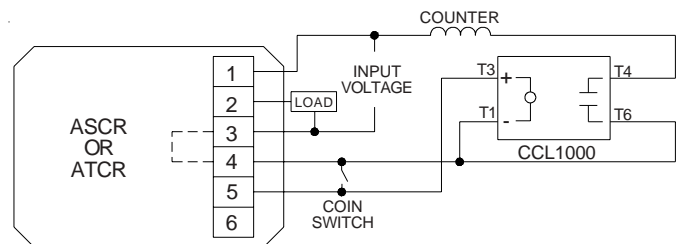
## MODE OF OPERATION

Referring to Figure # 1, with power applied to both the input and output, the output is in the 'OFF' state. Upon closure of the coin switch, the output turns 'ON' for 50 milliseconds and then returns to the 'OFF' state.

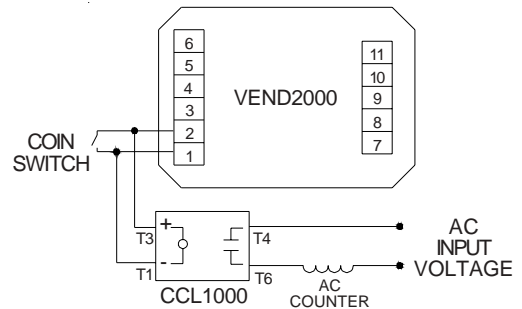
FIGURE # 1



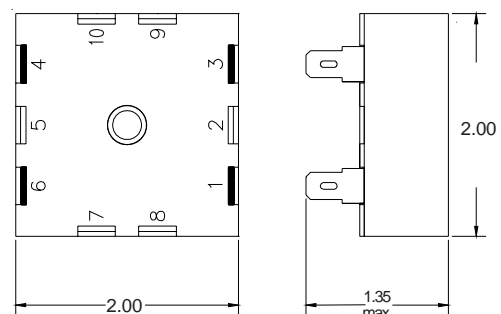
CONNECTION DIAGRAM A



CONNECTION DIAGRAM B



DIMENSIONS



## ORDERING INFORMATION

ORDER P/N: CCL1000