



P.O. Box 2956 • Syracuse • New York • 13220
 Phone: (315) 433-1150 Fax: (315) 433-1521
 Toll Free US & Canada: (800) 334-0837
 Email: sales@infitec.com

TAR SERIES ALTERNATING RELAY MOTOR DUPLEXOR

FEATURES

- C/MOS Microcontroller Circuitry
- Small Size
- Alternating Function With Lockout Option For Performing Maintenance
- SPDT Relay Output, Rated 10 Amps, 1/4HP @ 125 VAC
- 24, 120, or 230 VAC Inputs Available
- 1/4" Quick Connect Terminals
- Single Hole Mounting
- Encapsulated to Withstand Harsh Environment
- UL/cUL Recognized

SPECIFICATIONS

1. Control

- 1.1 Type: Electronic circuitry provides electrical switching between two circuits to alternate loads in systems where equal run time for two motors is desirable.
- 1.2 Optional Switch: An on-board rotary switch can be ordered to lock in either Load A or Load B position to stop the unit from alternating while maintenance is performed on the other load.

2. Input

- 2.1 Operating Voltage: 24, 120, & 230 VAC
- 2.2 Tolerance: $\pm 20\%$ of Nominal
- 2.3 Frequency: 50 - 60 Hertz

3. Output

- 3.1 Type: Electromechanical Relay
- 3.2 Form: SPDT
- 3.3 Rating 10 Amperes, 1/4HP N.O. @ 125/240 VAC
5 Amperes, 1/4HP N.C. @ 125/240 VAC
- 3.4 Life: Electrical - Full Load - 100,000 Operations
Mechanical - 10,000,000 Operations

4. Protection

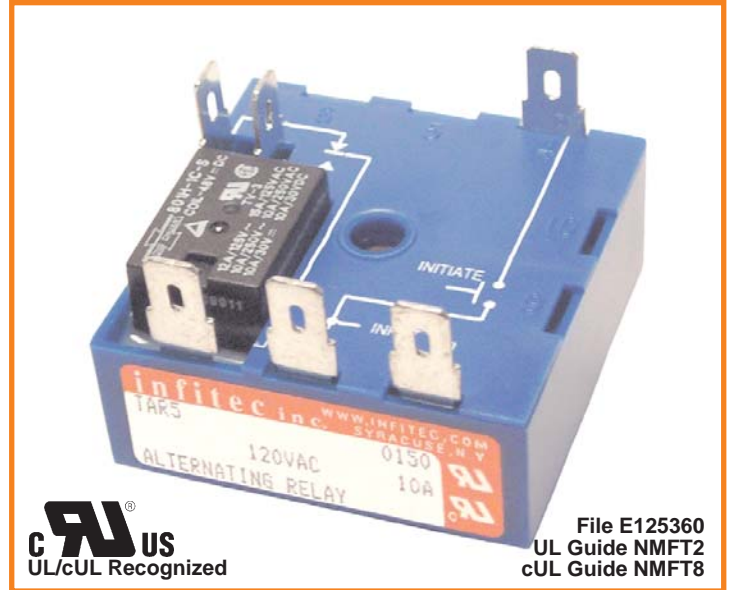
- 4.1 Transient: ± 1500 Volts for 150 Microseconds
- 4.2 Dielectric Breakdown: 1500 Volts RMS Minimum

5. Mechanical

- 5.1 Mounting: One #8 or #10 Screw
- 5.2 Termination: 1/4" Quick Connect Terminals
- 5.3 Style: Surface Mount/Encapsulated

6. Environmental

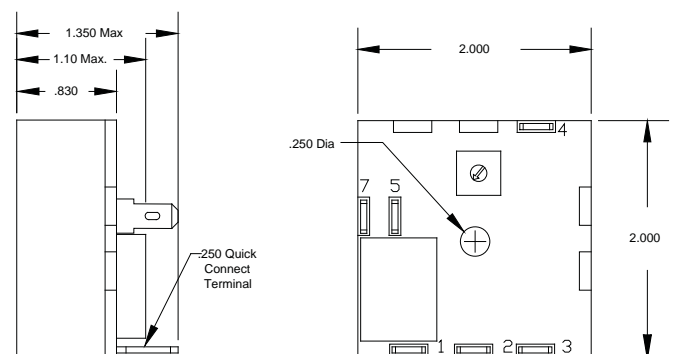
- 6.1 Operating Temperature: -40°C to $+85^{\circ}\text{C}$
- 6.2 Storage Temperature: -40°C to $+85^{\circ}\text{C}$
- 6.3 Humidity: 95% Relative, Non-Condensing



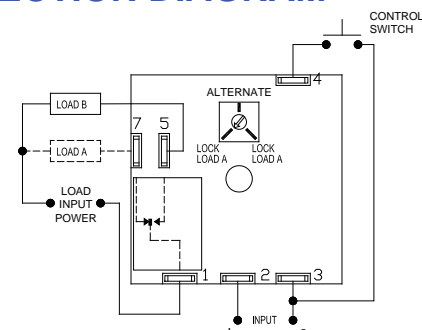
MODE OF OPERATION ALTERNATING RELAY

Upon application of power to the input terminals, nothing happens. When the control switch is closed, nothing happens. When the control switch is opened, the output contact transfers causing LOAD A to de-energize and LOAD B to energize. When the control switch is re-closed, nothing happens. When the control switch is again opened, the output contact reverts to its original position, causing LOAD B to de-energize and LOAD A to re-energize. The system will continue to alternate in this sequence as long as power is applied. If the optional selection switch is set to either LOCK LOAD A or LOCK LOAD B, the corresponding load will be electrically locked ON and the alternating will cease while locked. Reset is accomplished by removal of input power.

DIMENSIONS



CONNECTION DIAGRAM



ORDERING INFORMATION

SERIES	INPUT VOLTAGE	LOCKOUT OPTION
TAR	3 - 5 VDC 4 - 24 VAC 5 - 120 VAC 6 - 230 VAC 9 - 36 VDC	S - Rotary Switch Blank - No Switch