



P.O. Box 2956 · Syracuse · New York · 13220
 Phone: (315) 433-1150 Fax: (315) 433-1521
 Toll Free US & Canada: (800) 334-0837
 Email: sales@infitec.com

DFS SERIES ENCAPSULATED ON DELAY/OFF DELAY

FEATURES

- Fully Solid State and Encapsulated
- Delays from 1 to 180 Seconds
- Different ON and OFF Delays Can Be Specified
- Low Cost Mounting and Termination
- Control of Dual Functions in HVAC Equipment
- Small Size
- UL/cUL Recognized

SPECIFICATIONS

1. Time Delay

- 1.1 Type: Factory Fixed
- 1.2 Range: From 1 to 180 Seconds in 1 Second Increments
- 1.3 Repeat Accuracy: $\pm 5\%$ Under Fixed Conditions
- 1.4 Calibration Accuracy: $\pm 20\%$
- 1.5 Recycle Time vs. Off Delay

Recycle Time	% OFF Delay
1 Second	50%
1 Minute	70%
5 Minutes	90%

Note: Recycle time is the period the initiate switch remains closed after the end of the delay on cycle.

2. Input

- 2.1 Operating Voltage: 24, 120, & 230 VAC
- 2.2 Tolerance $\pm 15\%$ of Nominal
- 2.3 Frequency: 50 - 60 Hertz

3. Output

- 3.1 Type: Solid State
- 3.2 Form: SPST
- 3.3 Rating: 0.7 Amperes, Steady State, 5 Amperes Inrush
- 3.4 Voltage Drop: 1.2 Volts Typical
- 3.5 Life: 100,000,000 Operations Minimum Under Full Load

4. Protection

- 4.1 Transient: ± 1500 Volts for 150 Microseconds
- 4.2 Dielectric Breakdown: 1500 Volts RMS Minimum

5. Mechanical

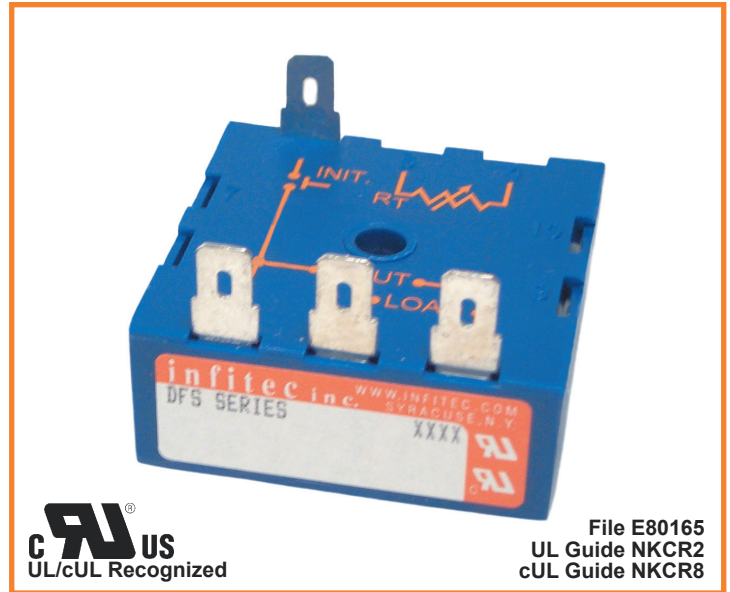
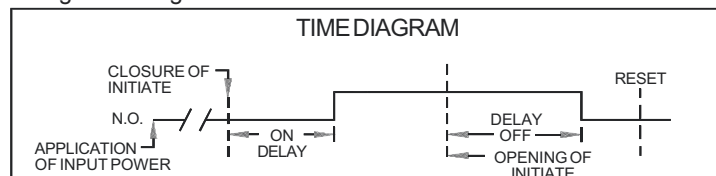
- 5.1 Mounting: One #8 or #10 Screw
- 5.2 Termination: 1/4" Quick Connect Terminals
- 5.3 Style: Surface Mount, Encapsulated

6. Environmental

- 6.1 Operating Temperature: -20°C to $+60^{\circ}\text{C}$
- 6.2 Storage Temperature: -30°C to $+85^{\circ}\text{C}$
- 6.3 Humidity: 95% Relative, Non-Condensing

ON DELAY/OFF DELAY

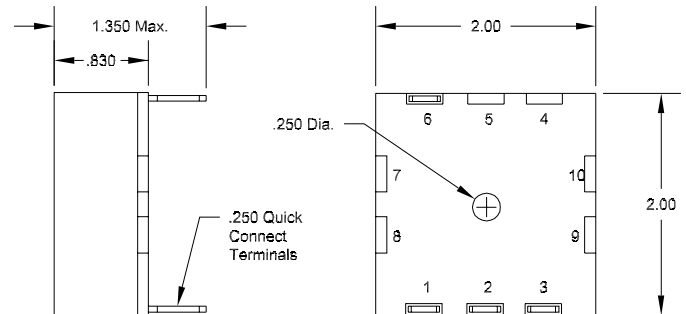
Voltage is applied to the input terminals at all times. Closure of the initiate switch begins the delay ON. At the end of the delay ON, the load energizes and remains in that state if no further action occurs. Opening of the initiate switch begins the delay OFF. Upon completion of the delay OFF, the load de-energizes. Removal of input voltage during the timing will reset the control.



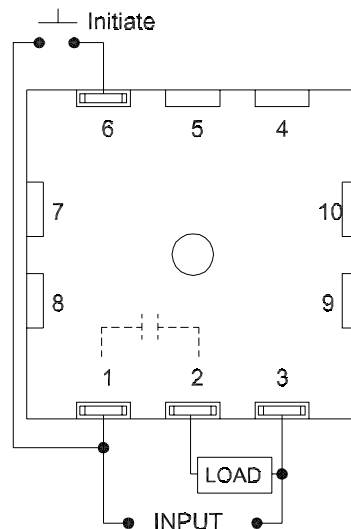
UL
UL/cUL Recognized

File E80165
UL Guide NKCR2
cUL Guide NKCR8

DIMENSIONS



CONNECTION DIAGRAM



ORDERING INFORMATION

SERIES	INPUT VOLTAGE	DELAY ON	DELAY OFF
DFS	4 - 24 VAC 5 - 120 VAC 6 - 230 VAC	Specify Time in seconds from 1 to 180 followed by the letter S	Specify Time in seconds from 1 to 180