



P.O. Box 2956 · Syracuse · New York · 13220  
 Phone: (315) 433-1150 Fax: (315) 433-1521  
 Toll Free US & Canada (800) 334-0837  
 Email: sales@infitec.com



# TFS SERIES SUPER LOW COST FLASHER

## FEATURES

- Fully Solid State
- 2 Wire, In-Line Connection
- Flash Rates From 30 to 90 Flashes Per Minute
- Various Models For Incandescent, Resistive & Inductive Loads
- 1 Ampere, Fullwave & 2 Ampere, Halfwave Outputs
- Totally Encapsulated
- UL/cUL Recognized (AC only)

## SPECIFICATIONS

### 1. Input.

- 1.1 Operating voltage: 24 & 120 VAC, 12, 24 & 36 VDC
- 1.2 Tolerance:  $\pm 15\%$  of nominal
- 1.3 Frequency: 50 or 60 Hertz

### 2. Output.

- 2.1 Type: Solid state
- 2.2 Rating:
  - A-1 amp RMS steady state, 10 amps inrush, fullwave (incandescent or resistive loads)
  - B-1 amp RMS steady state, 10 amps inrush, fullwave (incandescent, resistive or inductive loads)
  - C-2 amp peak steady state, 10 amps inrush, halfwave (incandescent or resistive loads)
  - D-1 amp DC

### 3. Flash Rate.

- 3.1 Standard FPM: 30, 45, 60, 75, 90 ( $\pm 20\%$ ) (at nominal operating voltage)
- 3.2 ON / OFF Ratio: Approximately 50%

### 4. Mechanical.

- 4.1 Mounting: One #8 screw
- 4.2 Termination: 6 inch (min.), #20 AWG, wire leads

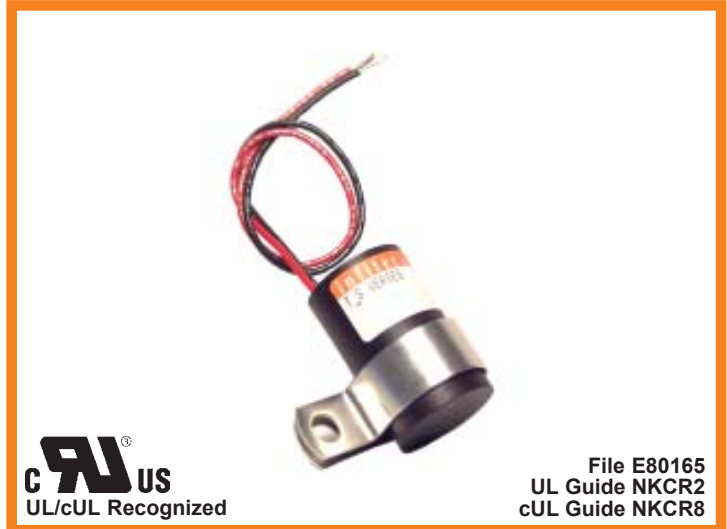
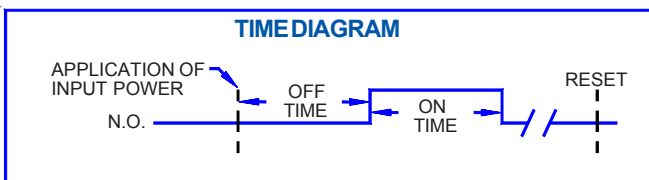
### 5. Environmental.

- 5.1 Operating temperature:  $-20^{\circ}\text{C}$  to  $+60^{\circ}\text{C}$
- 5.2 Storage temperature:  $-30^{\circ}\text{C}$  to  $+85^{\circ}\text{C}$
- 5.3 Humidity: 95% relative non-condensing

## MODE OF OPERATION

### OFF / ON FLASHER

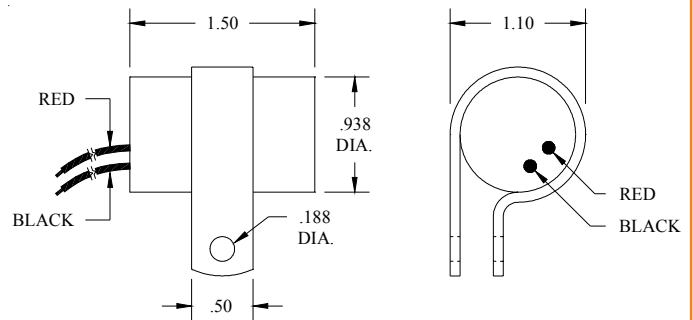
Upon application of power and with the load in place, the output will cycle OFF and ON at its fixed flash rate. To reset, remove power.



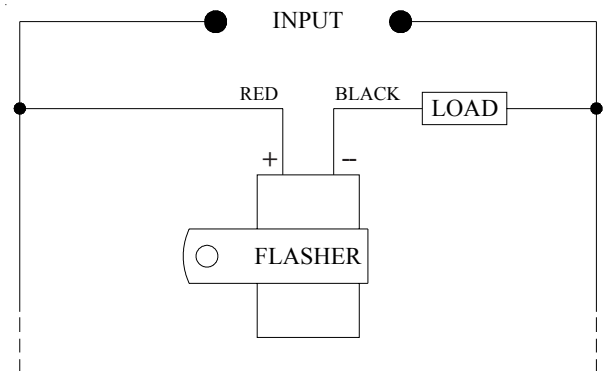
**UL**  
US  
UL/cUL Recognized

File E80165  
UL Guide NKCR2  
cUL Guide NKCR8

## DIMENSIONS



## CONNECTION DIAGRAM



## ORDERING INFORMATION

MODEL	INPUT VOLTAGE	OUTPUT RATING & STYLE	FLASH RATE
TFS	1 - 12 VDC	A - 1 Amp, Fullwave B - 1 Amp, Fullwave (Inductive) C - 2 Amp Peak, Halfwave Rectified D - 1 Amp DC	30 - 30 FPM
	2 - 24 VDC		45 - 45 FPM
	4 - 24 VAC		60 - 60 FPM
	5 - 120 VAC		75 - 75 FPM
	9 - 36 VDC		90 - 90 FPM